

Rodia®



RODIA AUTOMIXER PREMIUM

OPERATING MANUAL

CAUTION

Carefully read and understand all Safety and Operating Procedures prior to using the Rodia® AutoMixer PREMIUM.

Keep this Manual in a safe place for future reference.

Enter the Serial Number of your new Rodia® AutoMixer PREMIUM in the box below. The Serial Number is located on the machine housing

TABLE OF CONTENTS

1. RODIA SAFETY

Safety Messages	4
Damage Prevention and Information Messages	4
General Safety Precautions and Hazard Symbols.....	4
California Proposition 65 Message	8
Machine Specifications	9

2. OPERATING INSTRUCTIONS

Tool Adjustment	10
Mixing Procedures	10
Motor Protection	10

3. REPAIR AND MAINTENANCE

Cleaning	11
Storage	11
Machine failure	11

It is extremely important that you read and understand all of the safety instructions, the operating instructions and the maintenance instructions. If these instructions are not followed, serious injuries and/or death could occur to you or to others. Also, failure to read and follow the enclosed maintenance instructions can lead to equipment failure, damage to the equipment or reduced lifetime of the equipment.

SAFETY MESSAGES:

Safety messages are used to inform the person(s) using this equipment of the potential hazards that could lead to equipment damage, serious injury or even death. The safety messages within this manual will be followed by one of the following (3) three words that identify the severity of the damage.

DANGER

It is important that all instructions within this manual be followed. If the instructions are not followed serious injuries will occur as well as death.

WARNING

It is important that all instructions within this manual be followed. If the instructions are not followed it is possible that serious injuries could occur as well as death.

CAUTION

It is important that all instructions within this manual be followed. Failure to follow these instructions can lead to irreparable damage.

DAMAGE PREVENTION AND INFORMATION MESSAGES:

A Damage Prevention Message is to inform the user of important information and/or instructions that could lead to equipment or other property damage if not followed. Information Messages convey information that pertains to the equipment being used.

Each message will be preceded by the word NOTE, as in the example below.

NOTE:

Equipment and/or property damage may result if these instructions are not followed.

GENERAL SAFETY PRECAUTIONS AND HAZARD SYMBOLS:

In order to prevent injury, the following safety precautions and symbols should be followed at all times!

Safety Precautions:

● REMOVE ADJUSTING TOOLS.

The machine is supplied with some adjusting tools for equipment maintenance. It is important that the user of the machine makes sure that all tools are removed or in their proper storage area before the machine is turned on.

RODIA® SAFETY

- **KEEPING THE WORK AREA CLEAN.**

It is important that the working area be clean so as to avoid potential accidents or injuries.

- **DO NOT USE THE EQUIPMENT IN DANGEROUS ENVIRONMENTS.**

It is important that power tools not be used in wet environments. The equipment should never be used in the rain. Also, it is advisable to keep the working area well lit.

- **CHILDREN SHOULD BE KEPT AWAY FROM THE WORKING AREA.**

Only the operator of the equipment should be in the working area. All other people especially children should be kept away at a safe distance.

- **KEEP THE WORKING AREA CHILDPROOF.**

It is important to keep the working area child proof. This can be done by using locks on the equipment, plastic plugs for the electrical outlets and possibly even master switches on the equipment.

- **CLOTHING.**

It is important that the operator does not wear loose clothing that can potentially get caught in moving parts of the equipment. It is recommended to wear non-slip shoes along with a hair covering to keep hair away from the moving parts.

- **SAFETY GLASSES AND HEARING PROTECTION.**



It is important to wear safety glasses and hearing protection when operating any type of equipment. Be sure that the safety glasses you wear are impact resistant.

- **SECURE WORK**

Clamps or a vise should be used to hold your work whenever practical. Keeping your hands free to operate the machine is safer.

- **PROPER FOOTING**

It is important to keep proper footing and balance at all times when operating equipment. If proper footing is not observed by doing such things as overreaching, serious injury may occur.

- **TOOL MAINTENANCE.**

It is important to keep tools clean and in good working order. This will result in optimal performance of the machine. Always follow the maintenance instructions for proper tool maintenance.

- **REDUCING ACCIDENTAL STARTING OF MACHINE**



It is important to be sure that the switch is in the OFF position before plugging in the machine.

- **EQUIPMENT ACCESSORIES.**

It is important that you refer to the owner's manual for determining what are the recommended accessories to use with this type of equipment. Using accessories that are not recommended in the owner's manual may increase the risk of personal injury and/or to people that are within close proximity of the machinery.

- **CHECKING THE EQUIPMENT FOR DAMAGED PARTS.**

It is important to inspect the power tool before using it to check for damaged parts. Any part of the machinery that is damaged should be checked carefully to determine whether or not it should be used and whether or not it can function properly for its intended use.

It is important to check all the moving parts of the machinery for proper alignment and /or possible binding. All broken or damaged parts should be properly repaired or replaced. If these parts are not repaired or replaced the proper operation of the machine could be negatively affected.

- **NEVER LEAVE A TOOL RUNNING UNATTENDED – TURN POWER OFF**

It is important never to leave a tool running when not in use.

RODIA® SAFETY



**READ MANUAL
CAREFULLY
BEFORE USE**



**WEAR
SAFETY
GEAR**



**DO NOT SPRAY
WATER ON
MOTOR**



**TURN OFF
SAW BEFORE
PLUGGING IN**



**USE GROUND
FAULT CIRCUIT
INTERRUPTOR**



**KEEP AWAY
FROM
MOVING PARTS**

HAZARD SYMBOLS

- READ MANUAL CAREFULLY BEFORE USE



Carefully read and understand this operating manual and the enclosed safety instructions prior to using the machine.

- WEAR SAFETY GEAR



Always wear safety glasses and hearing protection when operating the machine.

- DO NOT SPRAY WATER ON THE MACHINE



Avoid direct water spray on motor and switch housing when cleaning.

- TURN OFF BEFORE PLUGGING IN



It is important to make sure that the switch is in the OFF position before plugging in the machine.

- ELECTRICAL SHOCK



It is important to never touch electrical components of the machine while the machine is in operation.

- KEEP AWAY FROM MOVING PARTS



It is important to keep hands, feet, hair and clothing away from all moving parts to prevent injury. It is also important to be sure that covers and guards are always in their proper position. If not, serious injury can occur.

WARNING

The use of this machine generates dust. Excessive airborne particles may cause irritation to eyes, skin and the respiratory tract. To avoid breathing impairment, always use dust controls and protection suitable to the material being mixed.

Comply with American National Standards Institute Safety Code, B7.1 and, Occupational Safety and Health Act covering speed, Safety Guards, Flanges, Mounting Procedures, General Operating Rules, Handling, Storage and General Machine Conditions.

CALIFORNIA PROPOSITION 65 MESSAGE:

WARNING

Some dust created by power sanding, sawing, grinding and other construction activities contain chemicals known [to the State of California] to cause cancer, birth defects or other reproductive harm. Some examples of these chemicals are:

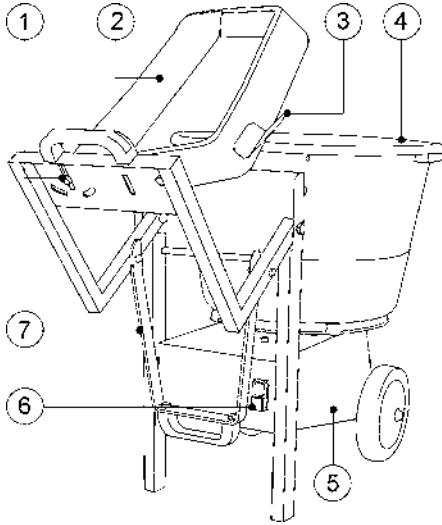
- Lead, from lead-based paints
- Crystalline silica, from bricks and cement and other masonry products
- Arsenic and chromium, from chemically treated lumber

For Further information, consult the following sources:

<http://www.osha-slc.gov/sltc/silicarySTALLINE/index.html>
http://www.oehha.org/prop65/out_of_date/6022kLstA.html

Your risk from these exposures varies depending on how often you do this type of work. To reduce your exposure to these chemicals, work in a well-ventilated area, and work with approved safety equipment, such as dust masks that are specially designed to filter out microscopic particles.

MACHINE SPECIFICATIONS



The RODIA® AutoMixer® is designed for the mixing of adhesive for tile, grout, self leveling underlayment mortar, mortar for plasters, quartz plasters, etc.

The RODIA® AutoMixer® shows the following benefits:

- Mixes while you work
- Maximum safety because of rotating bucket/fixed tool system
- Free access to the bucket during mixing
- Low RPM (55 RPM) for perfect homogeneous mixes without lumps or air pockets
- Lightweight, compact design for easy transportation
- Stainless steel housing for durability and ease of maintenance

-
1. Adjustment bolts
 2. Mixing tool
 3. Top scraper
 4. Bucket
 5. Motor
 6. Switch
 7. Transportation Handle
-

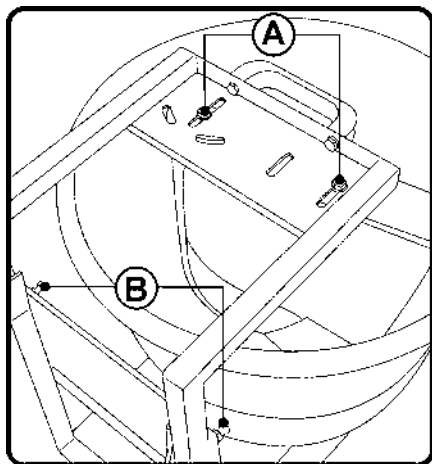
Technical Data:

Voltage	[V DC]	115
Motor	[HP]	0,5
No Load Speed	[RPM]	55
Bucket Capacity	[gal]	12
Weight	[lbs]	70
Dimensions	[Inch]	24 x 24 x 40

Optional Accessories:

Bucket Black	[12 gal]	Part # 40.04.047
Bucket White	[12 gal]	Part # 40.04.048

OPERATING INSTRUCTIONS



1. Tool Adjustment:

Before use, check the tool position by switching the mixer ON and OFF shortly. The tool should scrape the side of the bucket slightly and run free from the bottom of the bucket. The scraper on top of the tool should lightly scrape over the top of the bucket, thus performing a cleaning action during mixing.

- To adjust the tool sideways loosen bolts (A), move the tool into the correct position and retighten the bolts.
- To adjust the tool height, use screws (B)

2. Mixing procedures

- Place the bucket on the machine and rotate it until you feel it "lock".
- Swivel the tool into the bucket.
- Fill the bucket with water as per the manufacturer's instructions.
- Switch the machine ON.
- Place the bag on the tool bracket.
- Cut the bottom of the bag open and slowly start pouring the powder into the bucket.
- Mix the material until a homogeneous mass is formed. Add water or powder if

necessary.

- Switch the machine OFF and take the tool out of the bucket.
- Clean the tool immediately after you finish mixing. Never leave the tool in the bucket.

3. Motor Protection

The motor is equipped with a thermal safety switch. If the motor is overloaded, the machine will automatically switch OFF. The machine can be switched ON again after a few minutes when the motor has cooled down.

REPAIR & MAINTENANCE

WARNING

Make sure the machine is switched OFF and disconnected from the power outlet.

1. CLEANING

- Always clean the machine tool, bucket and other machine parts immediately after finishing your work using water and a brush. Never use a pressure cleaner.

2. STORAGE

- Keep the machine in a dry place and out of reach of children

3. MACHINE FAILURE

- Contact RODIA for repair work. They can direct you to a service center.

RODIA AUTOMIXER PREMIUM